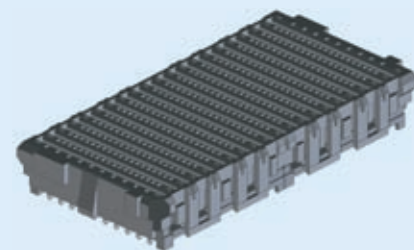
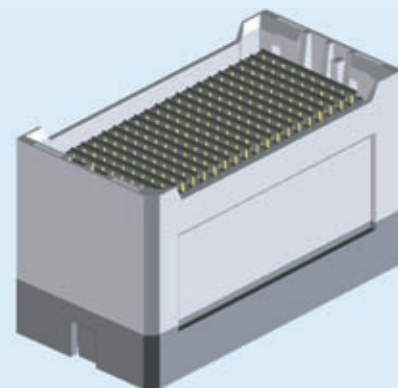
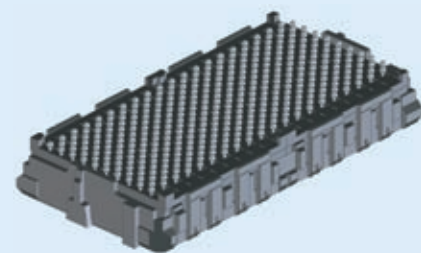




**Hirose Interconnects  
for High-Speed Mezzanine Applications  
IT3 Series**

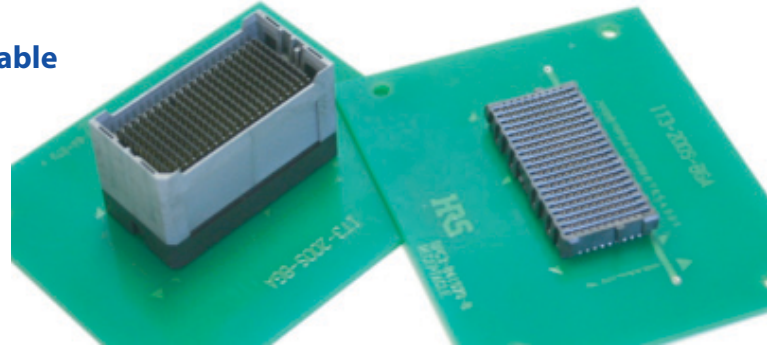
*"Creative Links to World Electronics"*

**HRS** **Hirose  
Electric  
(USA), Inc**

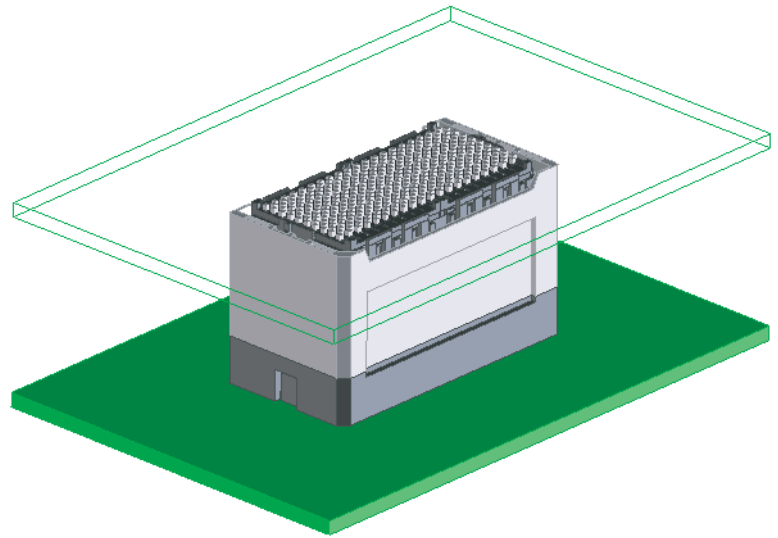
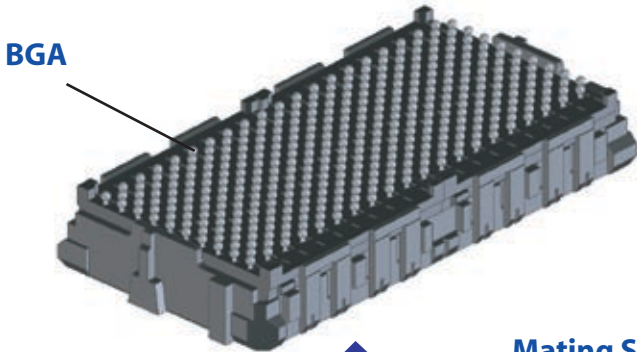


# IT3 Series Flexibility

Hirose's IT3 mezzanine connector system is as comfortable in today's data rates of PCI-X and XAUI as it will be in tomorrow's 10+Gbps. With its ability to transmit differential, single ended and power through one package. Stacking heights are available from 15-40mm. The IT3 connector can solve all of your current and future interface needs.

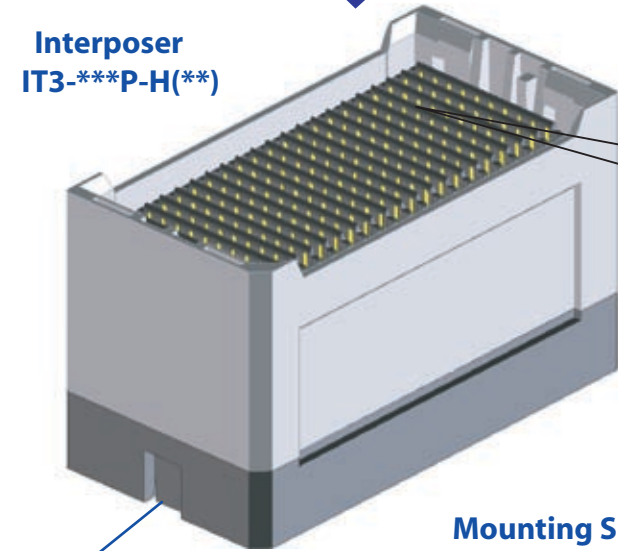


Mating receptacle: IT3D-\*\*\*S-BGA(\*\*)

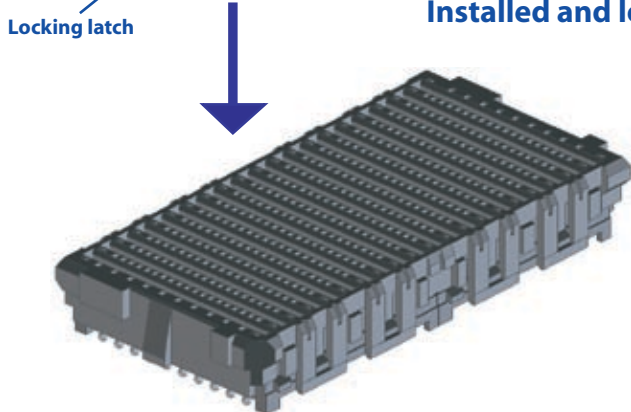


Mating Side  
Mating/unmating

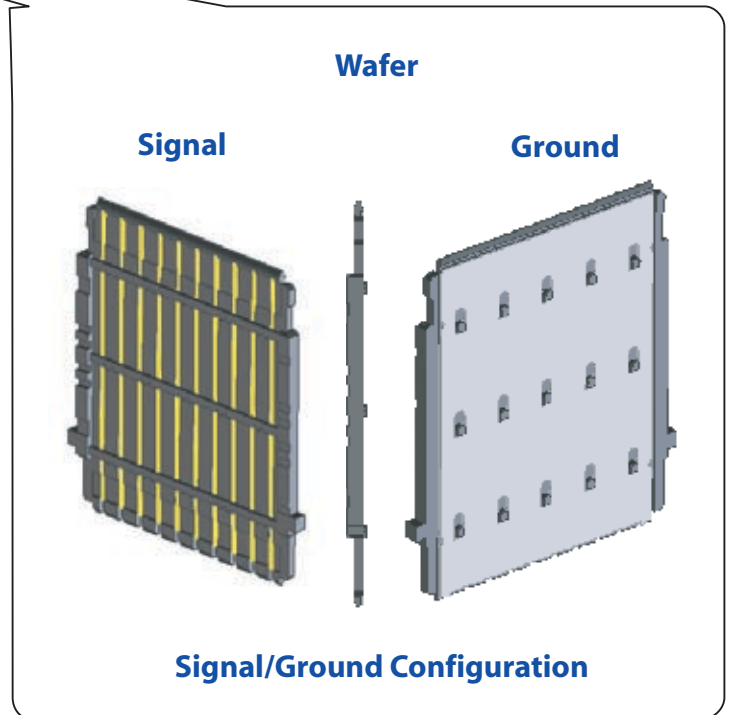
Interposer  
IT3-\*\*\*P-H(\*\*)



Mounting Side  
Installed and locked

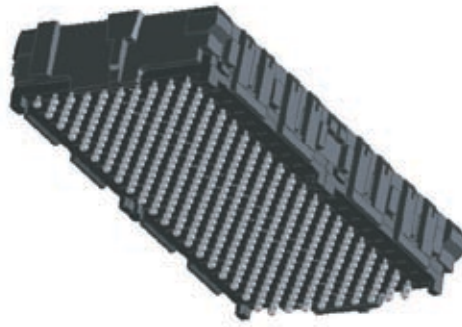


Mounting receptacle: IT3M-\*\*\*S-BGA(\*\*)

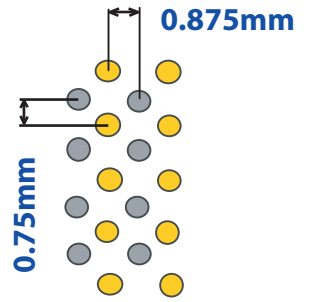


# High Density and Unmatched Reliability

IT3's unique 3 piece design and construction gives industry leading BGA reliability, while still providing the density of 73 differential pairs per linear inch.



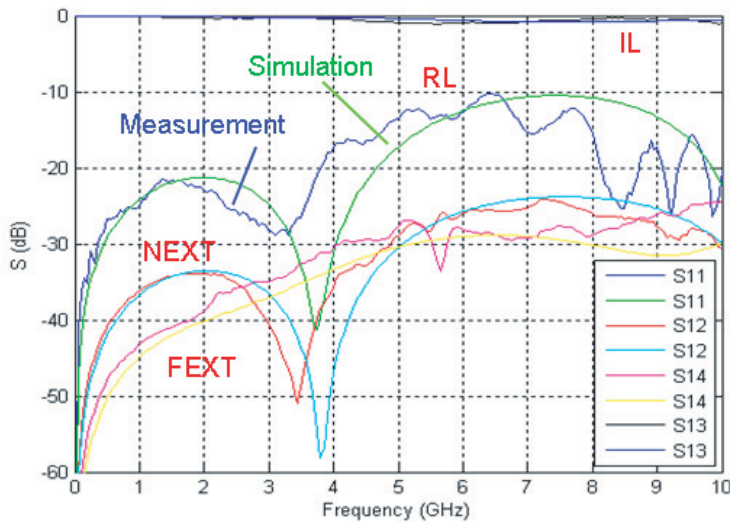
IT3M(D)-\*\*\*S-BGA



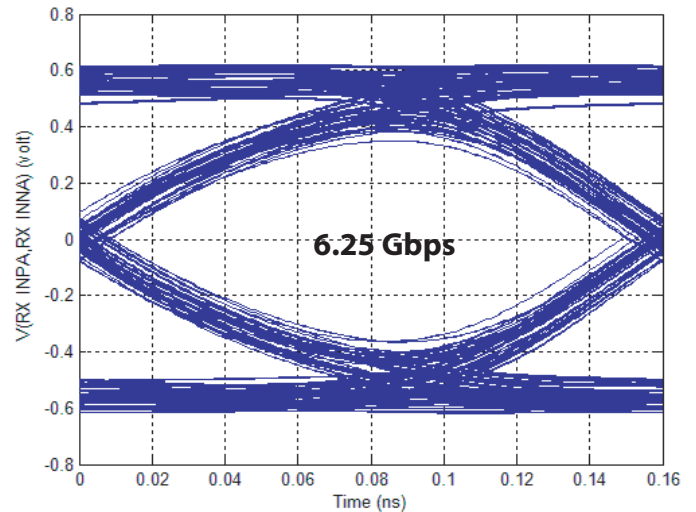
- Signal BGA land
- Ground BGA land

# Excellent SI Performance

The high performance IT3 was designed through exhaustive and detailed simulation. Data from measurement correlations support current applications needing 6.25+ Gbps, and future applications of 20+ Gbps.



S Parameters (for IT3 -17mm)



Eye digrams (at receiver of 6' + 6' channel)

# Easy reflow process



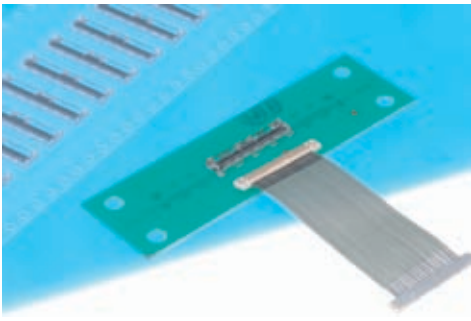
For any given stack height, the receptacles are always the same 6mm height. Different stack heights are achieved by changing the interposer assembly.

Reflow only on receptacle sides

# Height combinations

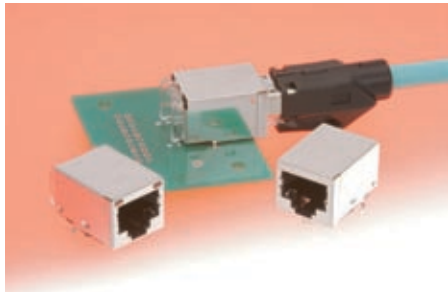
	# of Pos.		
	100	200	300
15mm	P	P	P
17mm	P	A	A
20mm	P	P	P
25mm	A	A	A
26mm	A	A	A
28mm	A	A	A
30mm	P	A	A
32mm	P	A	A
38mm	P	P	P

A: Curently Available  
P: Planed



**Hirose Electric is a leading, global interconnect manufacturer specializing in a wide range of solutions for advanced technologies.**

**We have connectors for: automotive, fiber optic, circular, power, mobile/cellular telephones, board-to-board, wire-to-board, microwave, telecomm, flex circuit (FPC/FFC), memory card connectors, ribbon cable, mini/micro USB, HDMI and other connectors.**



### World Headquarters

Hirose Electric Co., Ltd  
5-23 Osaki 5-Chome  
Shinagawa-Ku, Tokyo 141-8587 Japan  
T: 81-3-3492-3293 | F: 81-3-3493-2933



### US Headquarters

Hirose Electric (USA), Inc.  
2688 Westhills Court  
Simi Valley, CA 93065  
Tel: 805-522-7958 | F: 805-522-3217

#### No. Cal. Regional Office

Hirose Electric (USA), Inc.  
20400 Stevens Creek Blvd.  
Suite 250  
Cupertino, CA 95014  
T: 408-253-9640  
F: 408-253-9641

#### Southern Regional Office

Hirose Electric (USA), Inc.  
1701 N. Greenville Ave.  
Suite 817  
Richardson, TX 75081  
T: 469-330-9200  
F: 469-330-9205

#### Mid-West Regional Office

Hirose Electric (USA), Inc.  
2777 Finley Road  
Suite 19  
Downers Grove, IL 60515  
T: 630-916-1455  
F: 630-916-1451

#### Eastern Regional Office

Hirose Electric (USA), Inc.  
510 Broadhollow Road  
Suite 305  
Melville, NY 11747  
T: 516-249-5259

[www.hiroseusa.com](http://www.hiroseusa.com)



**Hirose is a ISO 9001 company**