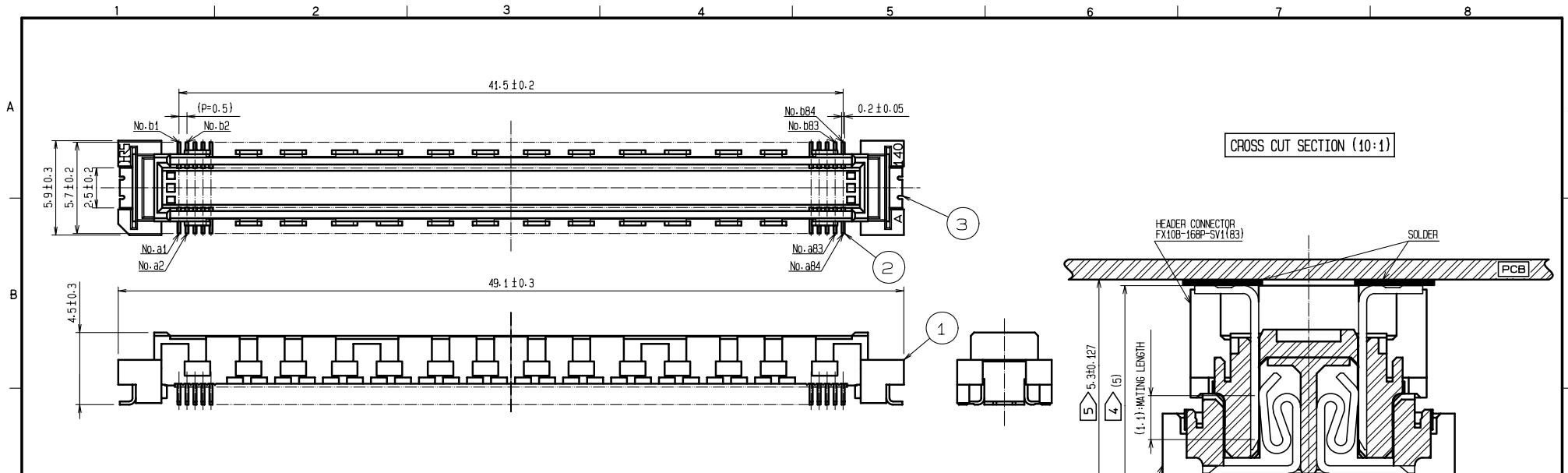
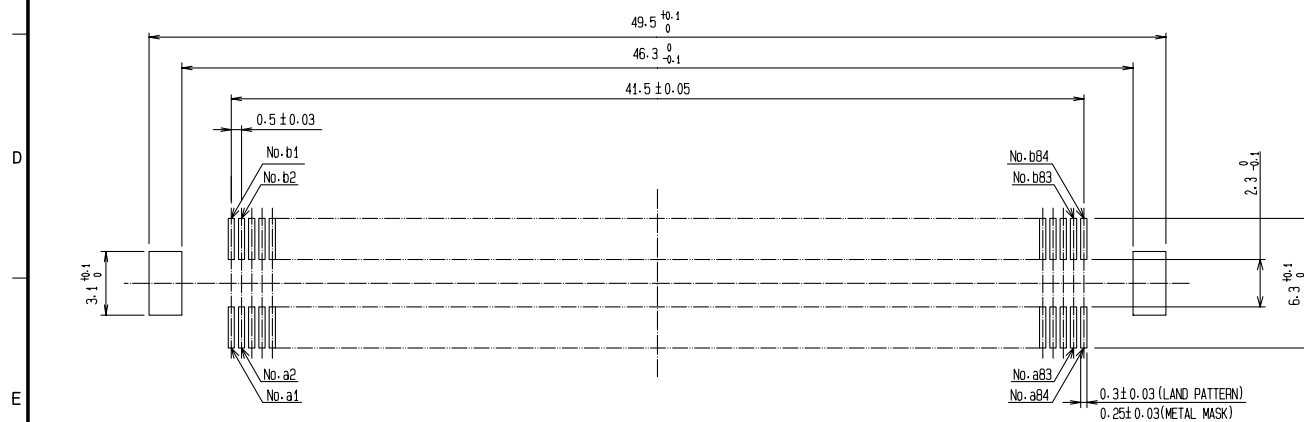


APPLICABLE STANDARD							
RATING	OPERATING TEMPERATURE RANGE	-55 °C TO 85 °C ⁽¹⁾		STORAGE TEMPERATURE RANGE	-40 °C TO 60 °C ⁽²⁾		
	VOLTAGE	50 V AC		OPERATING HUMIDITY RANGE	RELATIVE HUMIDITY 95 % RH MAX. ⁽³⁾		
	CURRENT	0.75A	No.a1~a8,a77~a84 No.b1~b8,b77~b84		STORAGE HUMIDITY RANGE	40 % TO 70 % ⁽²⁾	
0.3A		No.a9~a76,b9~b76					
SPECIFICATIONS							
ITEM	TEST METHOD			REQUIREMENTS	QT	AT	
CONSTRUCTION							
GENERAL EXAMINATION	VISUAL AND WITH MEASURING INSTRUMENT			ACCORDING TO A DRAWING	X	X	
MARKING	CONFIRM VISUALLY				X	X	
ELECTRIC CHARACTERISTICS							
CONTACT RESISTANCE [EIA-364-23]	100 mA and 20 mV OPEN CIRCUIT MAX			60 mΩ MAX	X	—	
INSULATION RESISTANCE [EIA-364-21]	100 V DC			100 MΩ MIN.	X	—	
VOLTAGE PROOF [EIA-364-20]	150 V AC FOR 1 MINUTE			NO FLASHOVER OR BREAKDOWN	X	X	
MECHANICAL CHARACTERISTICS							
INSERTION AND WITHDRAWAL FORCES [EIA-364-13]	MEASURED BY APPLICABLE CONNECTORS			INSERTION FORCE: 100.8 N MAX WITHDRAWAL FORCE: 4.2 N MIN	X	—	
MECHANICAL OPERATION [EIA-364-09]	50 TIMES INSERTION AND EXTRACTION			1) CONTACT RESISTANCE CHANGE: 10 mΩ OR LESS 2) NO DAMAGE, CRACK OR LOOSENESS OF PARTS	X	—	
RANDOM VIBRATION [EIA-364-28]	FREQUENCY: 20 TO 500 Hz POWER SPECTRAL DENSITY: 0.02 G ² /Hz OVERALL rms G: 3.1 Grms FOR 15 MINUTES IN THREE DIRECTIONS			1) NO ELECTRICAL DISCONTINUITY OF 1μs OR MORE 2) NO DAMAGE, CRACK OR LOOSENESS OF PARTS	X	—	
SHOCK [EIA-364-27]	490 m/s ² , DURATION OF PULSE: 11 ms 3 EACH DIRECTION, 3 AXIS				X	—	
ENVIRONMENTAL CHARACTERISTICS							
THERMAL SHOCK [EIA-364-32]	TEMPERATURE: -55 → 15 ~ 35 → 85 → 15 ~ 35 °C TIME: 30 → 5 → 30 → 5 min. UNDER 10 CYCLES			1) CONTACT RESISTANCE CHANGE: 10 mΩ OR LESS 2) NO DAMAGE, CRACK OR LOOSENESS OF PARTS	X	—	
CYCLIC TEMPERATURE AND HUMIDITY [EIA-364-31]	@ 25 °C, 80% RH: 60 MIN DWELL TIME 30 MIN RAMP TIME @ 65 °C, 50% RH: 60 MIN DWELL TIME UNDER 24 CYCLES				X	—	
DRY HEAT [EIA-364-17]	EXPOSED AT 105 °C, 1000 hr				X	—	
MIXED FLOWING GAS [EIA-364-65]	EXPOSED AT 30 °C, 70% Cl ₂ : 10 ppb, NO ₂ : 200 ppb, H ₂ S : 10 ppb, SO ₂ : 100 ppb UNMATED 7 DAYS, MATED 7 DAYS			1) CONTACT RESISTANCE CHANGE: 10 mΩ OR LESS 2) NO HEAVY CORROSION	X	—	
RESISTANCE TO SOLDERING HEAT	1) REFLOW SOLDERING : 250 °C MAX, : 220 °C MIN, FOR 60 s 2) SOLDERING IRONS : 360 °C, FOR 5 s			NO DEFORMATION OF CASE OF EXCESSIVE LOOSENESS OF THE TERMINAL.	X	—	
SOLDERABILITY	SOLDERED AT SOLDER TEMPERATURE, 240°C, FOR IMMERSION DURATION, 3 s.			A NEW UNIFORM COATING OF SOLDER SHALL OVER A MINIMUM OF 95 % OF THE SURFACE BEING IMMERSSED.	X	—	
	COUNT	DESCRIPTION OF REVISIONS		DESIGNED	CHECKED	DATE	
REMARK ⁽¹⁾ TEMPERATURE RISE INCLUDED WHEN ENERGIZED. ⁽²⁾ THIS STORAGE INDICATES A LONG-TERM STORAGE STATE FOR THE UNUSED PRODUCT BEFORE THE BOARD MOUNTED. ⁽³⁾ NO DEW CONDENSATION IS PERMITTED.				APPROVED	HS. OKAWA	10.09.03	
				CHECKED	HT. YAMAGUCHI	10.09.03	
				DESIGNED	AH. EDASHIGE	10.09.03	
				DRAWN	HK. SUNADORI	10.09.03	
NOTE -- QT: QUALIFICATION TEST; AT: ASSURANCE TEST; X: APPLICATION TEST				DRAWING NO.	TELC4-210582		
HRS	SPECIFICATION SHEET			PART NO.	FX10B-168P-SV1 (83)		
	HIROSE ELECTRIC CO., LTD.			CODE NO.	GL570		1/1



RECOMMENDED LAND PATTERN DIMENSION OF PCB
(RECOMMENDED METAL MASK THICKNESS:0.15mm)

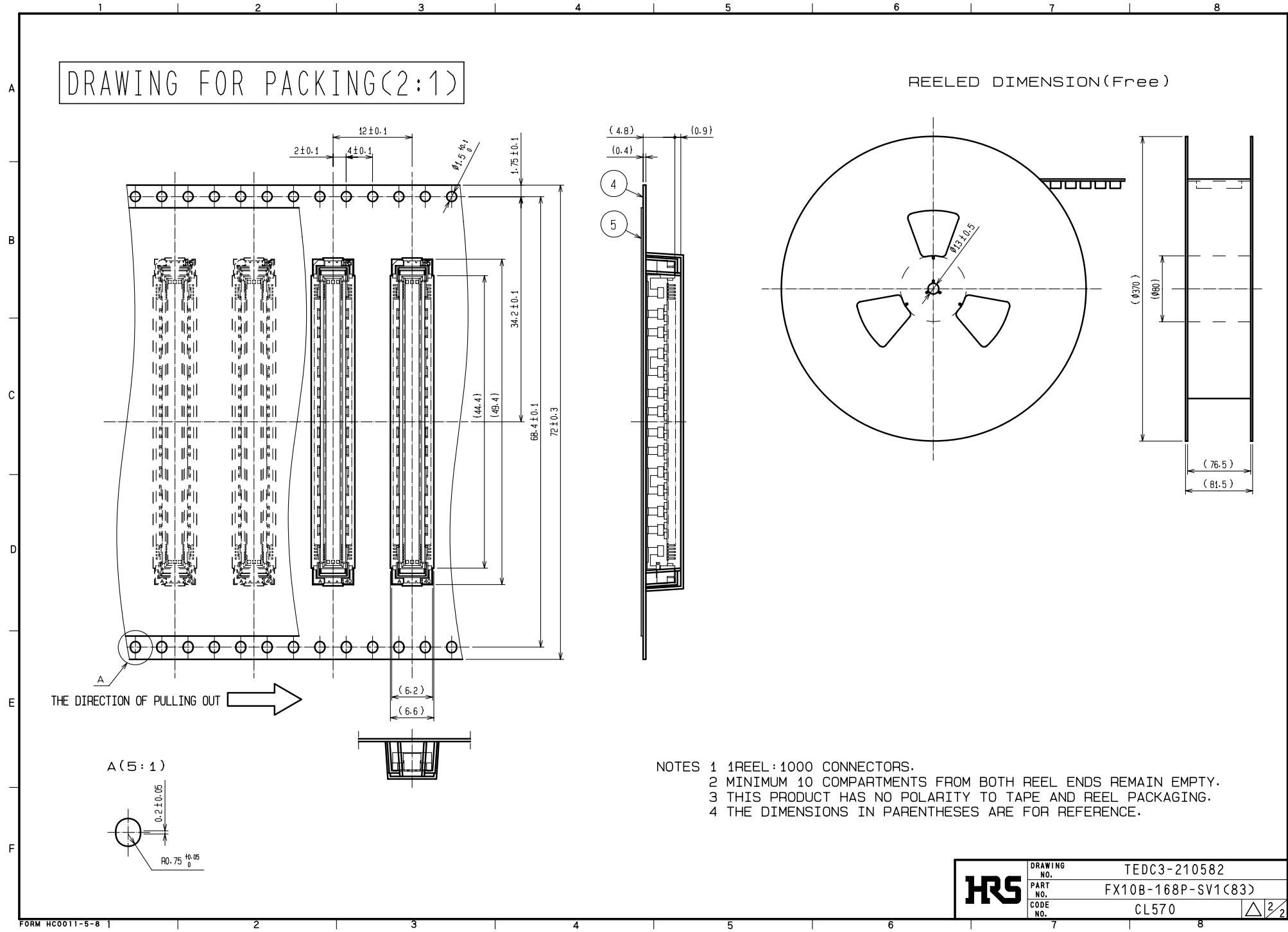


- NOTES
- 1 SMT LEAD-COPLANARITY:0.1 MAX.
 - 2 THIS PRODUCT HAS NO POLARITY TO PATTERN FOR MOUNTING.
 - 3 THE DIMENSIONS IN PARENTHESES ARE FOR REFERENCE.
 - 4 > STACKING HEIGHT FROM LEAD TO LEAD(REFERENCE DIMENSIONS)
 - 5 > BOARD DISTANCE

2	PHOSPHOR BRONZE	CONTACT AREA:GOLD 0.76µm min.	5	PET	TOP COVER TAPE		
		LEAD AREA:GOLD 0.03µm min.	4	PS	EMBOSSD CARRIER TAPE		
		UNDER PLATING:NICKEL 1.3µm min.	3	PHOSPHOR BRONZE	SURFACE AREA:GOLD 0.03µm min.		
1	LCP	BEIGE UL94V-0			UNDER PLATING:NICKEL 1.3µm min.		
NO.	MATERIAL	FINISH . REMARKS	NO.	MATERIAL	FINISH . REMARKS		
UNITS	⊕	SCALE	COUNT	DESCRIPTION OF REVISIONS	DESIGNED	CHECKED	DATE
mm		4 : 1	△				
APPROVED : HS. OKAWA		10.09.03		DRAWING NO.		TEDC3-210582	
CHECKED : HT. YAMAGUCHI		10.09.03		PART NO.		FX10B-168P-SV1(83)	
DESIGNED : AH. EDASHIGE		10.09.03		CODE NO.		CL570	
DRAWN : HK. SUNADORI		10.09.03				1/2	

DRAWING FOR PACKING(2:1)

REELED DIMENSION(Free)



- NOTES
- 1 REEL : 1000 CONNECTORS.
 - 2 MINIMUM 10 COMPARTMENTS FROM BOTH REEL ENDS REMAIN EMPTY.
 - 3 THIS PRODUCT HAS NO POLARITY TO TAPE AND REEL PACKAGING.
 - 4 THE DIMENSIONS IN PARENTHESSES ARE FOR REFERENCE.

HRS	DRAWING NO.	TEDC3-210582	△ 2/2
	PART NO.	FX10B-168P-SV1(83)	
	CODE NO.	CL570	